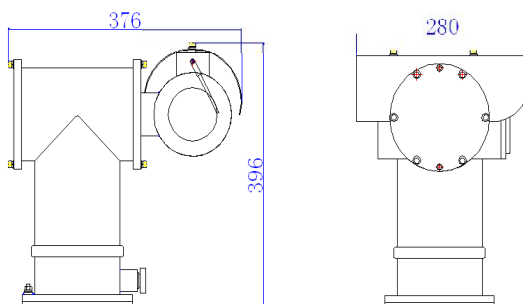


ZAT610-3**EXPLOSION-PROOF CORROSION PROOF INTEGRATED PTZ CAMERA****MAIN FEATURES**

- stainless steel 304 or 316L
- optional electropolished or corrosion resistant paint finish
- Enclosure Protection: IP68
- Exd II CT6 & DIP A20, TA, T6
- Fit for gas zone 1, zone 2, dust zone 21, 22
- Optional power input: AC24V, AC100~240V
- Working Current: ≤500mA
- Variable speed: 0.1°- 45°/S Pan and Tilt
- Pan : 0-360°, Tilt: -90 to +90°
- Integrated wiper system, sunshiled
- Camera: optional Sony , Samsung, Hikvision, Dahua
- Optional lower temperature range: -50 to 65 °C
- Application: gas station, chemical factory, petroleum processing factory, oil drilling platform, marine, pharmaceutical factory, gain store, winery store

**ZAT610-3**

| Model | ZAT610-3-S-IP | ZAT610-3-S |
|------------------------------------|-----------------------------------------------------------------|-----------------------------|
| Atmospheric pressure | 80KPa~110Kpa | |
| Ambient Temperature | -20°C~+60°C | |
| Relative Humidity | ≤95% (+25°C) | |
| Ex-proof mark | Ex d II CT6 & DIP A20, TA, T6 | |
| Explosion proof Certified | CNEx 14.0068 | |
| Ingress Protection | IP68 | |
| Housing Material | Stainless Steel 304, or 316L | |
| Optional Voltage Input | AC24V, AC100~240V | |
| Working Current | ≤500mA | |
| Power consumption | <50w | |
| Optional Auto-heating, cooling kit | -20 to +60°C -50 to +65°C (lower temperature version) | |
| Pan and Tilt | horizontal rotation: 360° continuous vertical rotation: -90° to | |
| Rotation speed | 0.1-45° /s | |
| Preset patrol | 128 | |
| Control way | RS485, PELCO-D/P Protocol | |
| Signal output | RJ45 | AV output |
| Cable output | RJ45+power cable | Integrated cable |
| Camera resolution | 1.3MP or 2MP | 700TVL |
| Camera optical zoom | 20X or 30X | 23X or 36X |
| Lens | 4.7-94mm or 4.3-129mm | 4-92mm, or 3.3-119mm |
| Min illuminator | Color 0.05lux, B&W 0.01lux | Color 0.04lux, B&W 0.004lux |
| Functions | Auto ICR, Day&night switch | |
| Overall dimension | 396*280*376mm | |
| Net weight | 22 kg | |

Accessories**ZAZ610B WALL BRACKET****FLEXIBLE TUBE****ZAJXD4 JUNCTION BOX****DRAWINGS**

specifications subject to change without notice. © ZUO AN all rights reserved.

skype: cookee.lee
tel +86-15295033359